

# 7940

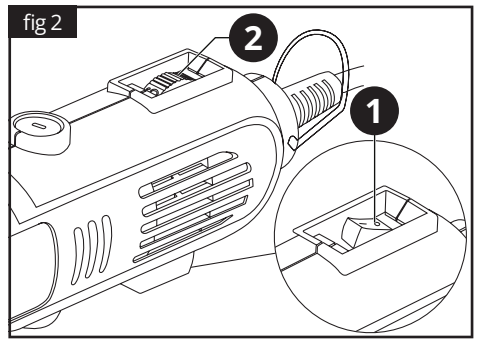
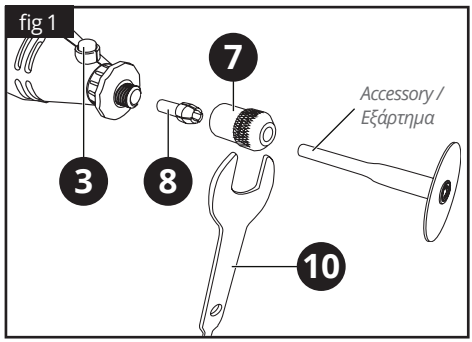
## MINI ROTARY MULTI TOOL

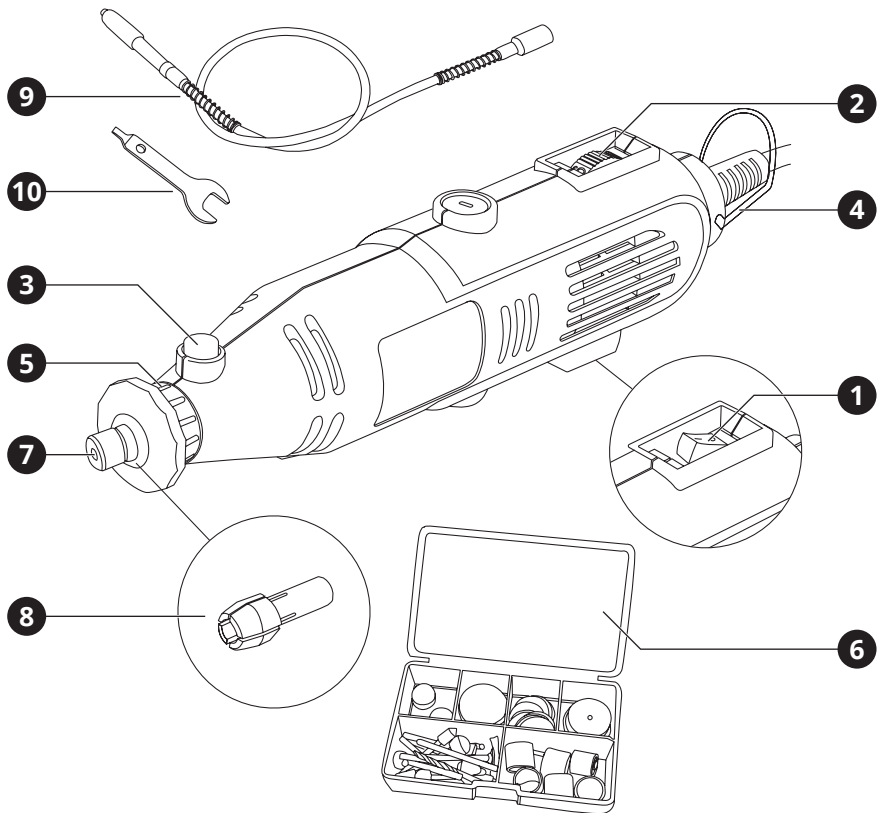
ΠΟΛΥΕΡΓΑΛΕΙΟ MINI ΜΕ FLEXIBLE ΑΞΟΝΑ  
& 60 ΕΞΑΡΤΗΜΑΤΑ



Operation manual  
Εγχειρίδιο χρήσης

EN | GR





## 1. Overview

### Tool description

- |   |                              |
|---|------------------------------|
| <b>1</b> ON / OFF rocker switch   | <b>7</b> Collet nut          |
| <b>2</b> Speed adjustment wheel   | <b>8</b> Collet chuck 3.2 mm |
| <b>3</b> Spindle lock button  | <b>9</b> Flexible shaft      |
| <b>4</b> Hanger loop  | <b>10</b> Spanner            |
| <b>5</b> Collar   |                              |
| <b>6</b> Plastic accessory case that contains: 10× cut off fiberglass wheels & 1× mandrel, 10× grinding wheels with shank, 5× sanding bands, 1× sanding shank, 20× sanding papers, 4× felt polishing wheels & 1× mandrel, 1× steel polishing brush, 1× HSS drill, 2× diamond grinding needle, 1× engraving cutter |                              |

## 2. General safety regulations

### **⚠ WARNING:**

**Disconnect the plug from the power source before making any assembly, adjustments or changing accessories.** Such preventative safety measures reduce the risk of starting the tool accidentally.

**Read carefully and understand all instructions before using the tool.**

*When using power tools, the following instructions must be followed to prevent hazards such as electric shock, fire and/or serious injury.*

*The vibration and noise emission levels may vary from the level specified during actual use, depending on how the power tool is used and the type of work piece.*

### Work area safety

- ▶ Keep work area clean and well lit. Cluttered benches and dark areas invite accidents.
- ▶ Do not operate power tools in explosive atmospheres, such as in the presence of flammable liquids, gases or dust. Power tools create sparks which may ignite the dust or fumes.
- ▶ Keep children and bystanders away while operating a power tool. Distractions can cause you to lose control.

### Electrical safety

- ▶ Power tool plugs must match the outlet. Never modify the plug in any way. Do not use any adapter plugs with earthed (grounded) power tools. Unmodified plugs and matching outlets will reduce the risk of electric shock.
- ▶ Avoid body contact with earthed or grounded surfaces such as pipes, radiators, ranges and refrigerators. There is an increased risk of electric shock if your body is earthed or grounded.
- ▶ Do not expose power tools to rain or wet conditions. Water entering a power tool will increase the risk of electric shock.
- ▶ Do not abuse the cord. Never use the cord for carrying, pulling or unplugging the power tool. Keep cord away from heat, oil, sharp edges or moving parts. Damaged or entangled cords increase the risk of electric shock.

- ▶ When operating a power tool outdoors, use an extension cord suitable for outdoor use. Use of a cord for outdoor use reduces the risk of electric shock.

### Personal safety

- ▶ Stay alert, watch what you are doing and use common sense when operating a power tool. Do not use a power tool while you are tired or under the influence of drugs, alcohol or medication. A moment of distraction while operating power tools may result in serious personal injury.
- ▶ Use safety equipment. Always wear eye protection. Safety equipment such as dust mask, non-skid safety shoes, hard hat, or hearing protection used for appropriate conditions will reduce personal injuries.
- ▶ Avoid accidental starting. Ensure the switch is in the off-position before plugging in. Carrying power tools with your finger on the switch or plugging in power tools that have the switch on invites accidents.
- ▶ Remove any adjusting key or wrench before turning the power tool ON. A wrench or a key left attached to a rotating part of the power tool may result in personal injury.
- ▶ Do not overreach. Keep proper footing and balance at all times. This enables better control of the power tool in unexpected situations.
- ▶ Dress properly. Do not wear loose clothing or jewellery. Keep your hair, clothing and gloves away from moving parts. Loose clothes, jewellery or long hair can be caught in moving parts.
- ▶ If devices are provided for the connection of dust extraction and collection facilities, ensure these are connected and properly used. Use of these devices can reduce dust related hazards.

### Power tool use and care

- ▶ Do not force the power tool. Use the correct power tool for your application. The correct power tool will do the job better and safer for the purpose for which it was designed.
- ▶ Do not use the power tool if the switch does not turn it ON and OFF. Any power tool that cannot be controlled with the switch is

dangerous and must be repaired.

- ▶ Disconnect the plug from the power source before making any adjustments, changing accessories or storing power tools. Such preventative safety measures reduce the risk of starting the power tool accidentally.
- ▶ Store idle power tools out of the reach of children and do not allow persons unfamiliar with the power tool or these instructions to operate the power tool. Power tools are dangerous in the hands of untrained users.
- ▶ Maintain power tools, check for misalignment or binding of moving parts, breakage of parts and any other condition that may affect the power tools' operation. If damaged, have the power tool repaired before use. Many accidents are caused by poorly maintained power tools.
- ▶ Keep cutting tools sharp and clean. Properly maintained cutting tools with sharp cutting edges are less likely to bind and are easier to control.
- ▶ Use the power tool, accessories and tool bits etc., in accordance with these instructions and in the manner intended for the particular type of power tool, taking into account the working conditions and the work to be performed. Use of the power tool for operations different from intended could result in a hazardous situation.

## Service

- ▶ Have your power tool serviced by a qualified repair person using only genuine replacement parts. This will ensure that the safety of the power tool is maintained.
- ▶ Follow instruction for lubricating and changing accessories.
- ▶ Keep handles dry, clean and free from oil and grease.

## 3. Specific safety regulations

DO NOT let comfort or familiarity with product (gained from repeated use) replace strict adherence to electric power tools' safety rules. If you use this tool unsafely or incorrectly, you can suffer serious personal injury.

- 1 Wear ear protectors. Exposure to noise can cause hearing loss.
- 2 Use auxiliary handles supplied with the tool. Loss of control can cause personal injury.
- 3 Hold power tools by insulated gripping surfaces when performing an operation where the cutting tool may contact hidden wiring or its own cord. Contact with a "live" wire will make exposed metal parts of the tool "live" and shock the operator.
- 4 Wear a hard hat (safety helmet), safety glasses and/or face shield. Ordinary eye or sun glasses are NOT safety glasses. It is also highly recommended that you wear a dust mask and thickly padded gloves.
- 5 Be sure the bit is secured in place before operation.
- 6 Under normal operation, the tool is designed to produce vibration. The screws can come loose easily, causing a breakdown or accident. Check tightness of screws carefully before operation.
- 7 In cold weather or when the tool has not been used for a long time, let the tool warm up for a while by operating it under no load. This will loosen up the lubrication.
- 8 Always be sure you have a firm footing. Be sure no one is below when using the tool in high locations.
- 9 Hold the tool firmly with both hands.
- 10 Keep hands away from moving parts.
- 11 Do not leave the tool running. Operate the tool only when hand-held.
- 12 Do not point the tool at any one in the area when operating. Parts could fly out and injure someone seriously.
- 13 Do not touch parts close to the bit immediately after operation; they may be extremely hot and could burn your skin.
- 14 Some material contains chemicals which may be toxic. Take caution to prevent dust inhalation and skin contact. Follow material supplier safety data.

## Additional safety regulations for rotary multi tools

- **WARNING!** Know your multi tool. Do not plug the tool into the power source until you have read and understood the information in this manual. Learn the tool's applications and limitations, as well as the specific potential hazards related to this tool, in order to reduce the risk of electric shock, fire or serious injury.
- If any part is missing or damaged, do not plug the tool into the power source or install any accessory until the missing or damaged part is repaired or replaced. Failure to follow this instruction could result in serious personal injury.
- **WARNING!** Contact with, or inhalation of, dusts arising from cutting applications may endanger the health of the operator and possible bystanders. Wear a dust mask specifically designed for protection against dust and fumes and ensure that persons within or entering the work area are also protected.
- Use clamps or another practical way to secure and support the workpiece to a stable platform. Holding the work by hand or against your body leaves it unstable and may lead to loss of control.
- Let bit cool before touching, changing or adjusting it. Bits heat up dramatically while in use, and can burn you.
- Maintain labels and nameplates on the tool. These carry important safety information. If unreadable or missing, contact the official representative for a replacement.
- Avoid unintentional starting. Prepare to begin work before turning on the tool.
- Do not lay the tool down until it has come to a complete stop. Moving parts can grab the surface and pull the tool out of your control.
- Do not leave the tool unattended when it is plugged into an electrical outlet. Turn off the tool, and unplug it from its electrical outlet before leaving.
- Make sure there are no nails or foreign objects in the path of the workpiece to be cut or sanded.
- Be aware of hidden hazards. Before cutting

into walls, floors or ceilings, check for the location of wiring and pipes.

- When cutting pipe or conduit, make sure that they are free from water, electrical wiring, etc.
- **WARNING!** Use only accessories recommended for this Multi Tool. Follow the instructions that accompany the accessories. The use of improper accessories may result in injury to the operator or damage the tool.

### SAVE THESE INSTRUCTIONS

#### **⚠ WARNING:**

*Misuse or failure to follow the safety rules stated in this instruction manual may cause serious personal injury.*

## 4. Functional description and specifications

### Intended use

The multi tool is intended for cutting, sharpening, sanding, polishing, engraving and drilling various materials using various accessories.

#### **⚠ WARNING:**

*If the replacement of the supply cord is necessary, it has to be done by a professional to avoid a safety hazard.*

Tool	7940
Power supply	230V~50Hz
Power input	135W
No load speed	8000 - 33000 rpm
Chuck	3.2 mm
Cable length	2 m
Noise level	79 dB
Tool weight	650 g

### Assembly

#### **⚠ CAUTION:**

*Always ensure the multi tool has been disconnected from the mains before installing accessories.*

## Installing accessories

### **i** IMPORTANT:

Ensure you use the correct collet chuck size for the accessory size.

- Remove the collet nut **7** by pressing the spindle lock button **3** and rotating counter-clockwise. If necessary, use the spanner **10** supplied within the accessories to remove.
- Remove the collet chuck **8** if necessary and replace with a suitable sized one for the accessory to be used.
- Insert the chosen collet chuck into the tool, then place the collet nut over.
- Insert the accessory, then hold the spindle lock button and re-tighten the assembly by turning the collet nut in clockwise direction (fig 1).

### **i** NOTE:

If necessary, use the supplied spanner to re-tighten. Be careful not to over-tighten.

## Operation

### **i** IMPORTANT:

Before using the multi tool, ensure you have inserted and secured your chosen accessory for the task in hand.

- Locate a suitable outlet and plug in the multi tool.

### **i** CAUTION:

Ensure the workpiece is secured and stable and free from containments and debris.

- Hold the multi tool in both hands, ensuring you are not covering the ventilation.
- Before powering on, select the operating speed using the speed adjustment **2**. If necessary, operating speed can be adjusted during operation, but it is important to ensure you use a suitable speed to begin with.
- Power on the multi tool using the ON/OFF rocker switch **1** (fig 2).
- Slowly lower the tool to the workpiece and begin the cut.

### **i** CAUTION:

Be cautious of kickback from the tool upon powering on.

Always ensure you approach the workpiece with the tool powered on. Never power on the tool whilst it is against the workpiece as this can cause kick back and damage to the accessory.

## 5. Maintenance

Correct and regular cleaning will improve the safety and extend the lifespan of the device.

**For safe and proper working, always keep the tool and ventilation slots clean.**

The tool may be cleaned most effectively with compressed dry air or with a soft cloth moistened with soapy water. **Always wear safety goggles when cleaning tools with compressed air.**

**Certain cleaning agents and solvents damage plastic parts.** Some of these are: gasoline, carbon tetrachloride, chlorinated cleaning solvents, ammonia and household detergents that contain ammonia.

The brushes and commutator in your tool have been engineered for many hours of dependable service. To maintain peak efficiency of the motor, we recommend every two to six months the brushes be examined.

Store the tool, operating instructions and where necessary the accessories in the original packaging. In this way you will always have all the information and parts ready to hand.

### **i** WARNING:

Turn the device off, disconnect it from the mains and wait until it cools down before cleaning or maintenance to avoid electric shock or burn.



**Wear ear defenders**



**Wear safety goggles**



**Wear a dust mask**

## 6. Warranty

This tool has been checked by the manufacturer. From the date of purchase by the final consumer, a two year warranty for **amateur use** covers any faulty material and manufacturing. The receipt or invoice of purchase needs to be displayed in case of a repair that is covered by the warranty. For possible faults during the warranty period, you should address your issue to the retail shop from which the purchase was made.

### Terms of warranty

The warranty is valid only when:

- The tool has been used properly and for the purpose for which it was purchased.
- The tool presents a problem that is due to faulty material and manufacturing.
- Incapability of the tool to perform according to the technical specs provided.

Damages are not covered by the warranty that are due to causes such as:

- Wear due to improper use.
- Partial or total disassembly. The tool's shell must be disassembled only by personnel authorised by the official distributor.
- Damage due to overloading.
- Usage of incorrect or incompatible accessory.
- Bad maintenance from the operator or any other third party.
- Wear that was induced by external factors or rogue particles (dust, debris etc.)
- Wear due to non compliance with the instructions in this manual.

If, during the warranty period, there is a fault that can not be repaired from the authorised service department, the tool will be replaced without any extra cost.

## 7. Repair / Servicing

In case there is a need for a repair after the warranty period has expired, we will provide the best possible attention to repair the tool successfully.

## 8. Disposal



Do not dispose of electrical machines as unsorted municipal waste, use separate collection facilities.

Contact your local government collection systems for information regarding the collection systems available.

If electrical machines are disposed of in landfills or dumps, hazardous substances can leak into the groundwater and get into the food chain, damaging your health and well-being. When replacing old machines with new ones, the retailer will be happy to take back your old machine for disposal.

## 9. Declaration of Conformity

### Authorized Representative

#### PAPADEAS S.A.

4-6 Iroon 1912 St., 13671, Acharne, Greece

Herewith declares that:

The **Rotary multi tool** with **CODE: 7940** and distinctive title: **S1J-AJ4-10** under the brand **KRAUSMANN** (Description: Mini drill, GS/CE/EMC standard, 230V~50Hz, 135W, no-load speed: 8000-33000rpm, 2m cable, VDE plug, with accessories 60pcs, with 1 flexible shaft in BMC (10pcs/ctn)), is designed in conformity with provision of the Directives 2006/42/EC, 2014/30/EC and the following manufacturing standards: EN60745-1:2009+A11:2010, EN60745-2-23:2013, AfPS GS 2019:01 PAK, EN55014-1:2017, EN55014-2:2015, EN61000-3-2:2014, EN61000-3-3:2013.

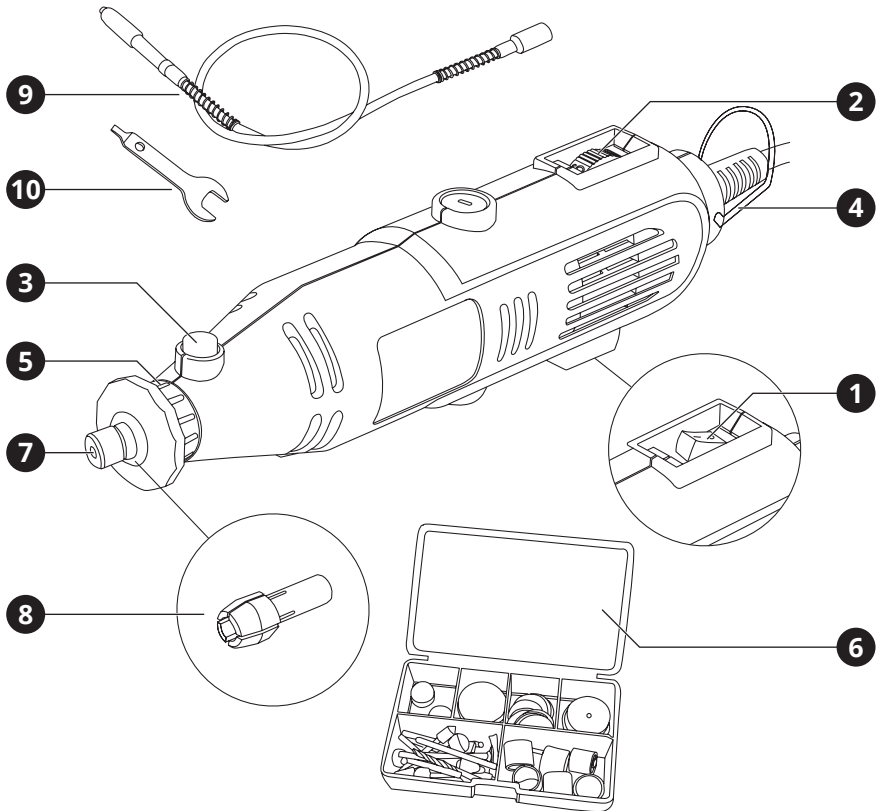
Year in which "CE" marking was affixed: 2020

Date: March 26th, 2020



*\* Accessories and contents may change from the production factory without any warnings, in that case the company bears no responsibility.*





## 1. Επισκόπηση

### Περιγραφή Εργαλείου

- |  |                                     |
|--|-------------------------------------|
| <b>1</b> Διακόπτης ON / OFF  | <b>7</b> Παξιμάδι κολάρου           |
| <b>2</b> Τροχός ρύθμισης ταχύτητας   | <b>8</b> Τσοκ κολάρου 3.2 mm        |
| <b>3</b> Κουμπί κλειδώματος άξονα  | <b>9</b> Flexible άξονας            |
| <b>4</b> Κρίκος ανάρτησης  | <b>10</b> Κλειδί παξιμαδιού κολάρου |
| <b>5</b> Κολάρο  |                                     |
| <b>6</b> Πλαστική θήκη αξεσουάρ με περιεχόμενα: 10× τροχοί κοπής fiberglass & 1× άξονας, 10× τροχοί λείανσης με στέλεχος, 5× λωρίδες λείανσης, 1× στέλεχος λείανσης, 20× φύλλα λείανσης, 4× τροχοί γυαλισματος felt & 1× άξονας, 1× ασφάλινη βούρτσα γυαλισματος, 1× HSS τρυπάνι, 2× εξάρτημα λείανσης διαμαντιού, 1× εξάρτημα χάραξης |                                     |

## 2. Γενικές οδηγίες ασφαλείας

### ⚠ ΠΡΟΣΟΧΗ:

**Αποσυνδέστε το φως από την πρίζα πριν προχωρήσετε σε συναρμολόγηση, παραμετροποιήσεις ή αλλαγή αξεσουάρ.**

*Τέτοια προληπτικά μέτρα ασφαλείας μειώνουν τον κίνδυνο ακούσιας εκκίνησης του εργαλείου.*

### **Διαβάστε προσεκτικά και τηρήστε αυτές τις οδηγίες πριν τη χρήση του εργαλείου.**

*Όταν χρησιμοποιείτε ηλεκτρικά εργαλεία, οι ακόλουθες οδηγίες πρέπει να τηρούνται για τη πρόληψη κινδύνου ηλεκτροπληξίας, προσωπικού τραυματισμού και πυρκαγιάς.*

*Τα επίπεδα εκπομπών κραδασμών και θορύβου ενδέχεται να διαφέρουν από το επίπεδο που καθορίζεται κατά την πραγματική χρήση, ανάλογα με τον τρόπο με τον οποίο χρησιμοποιείται το ηλεκτρικό εργαλείο και τον τύπο του τεμαχίου εργασίας.*

### Ασφάλεια χώρου εργασίας

- ▶ Διατηρείτε το χώρο εργασίας καθαρό και καλά φωτισμένο. Οι βρώμικοι χώροι και οι σκοτεινοί πάγκοι εργασίας κρύβουν κινδύνους.
- ▶ Μη λειτουργείτε ηλεκτρικά εργαλεία στη βροχή ή σε υγρά μέρη. Μη χρησιμοποιείτε τα ηλεκτρικά εργαλεία κοντά σε εύφλεκτα υγρά ή αέρια. Τα ηλεκτρικά εργαλεία δημιουργούν σπινθήρες που μπορεί να αναφλέξουν τη σκόνη ή τις αναθυμιάσεις.
- ▶ Κρατήστε τους επισκέπτες και τα παιδιά μακριά ενώ λειτουργείτε ένα ηλεκτρικό εργαλείο. Κάθε απόσπαση της προσοχής σας μπορεί να προκαλέσει απώλεια ελέγχου του εργαλείου και να προκαλέσει ατύχημα.

### Ασφάλεια ηλεκτρισμού

- ▶ Τα φως των ηλεκτρικών εργαλείων πρέπει να ταιριάζουν με τις πρίζες. Ποτέ μην τροποποιείτε την πρίζα με οποιοδήποτε τρόπο. Μη χρησιμοποιείτε μετατροπείς πρίζας με γειωμένα ηλεκτρικά εργαλεία. Οι πρίζες που δεν έχουν τροποποιηθεί και που ταιριάζουν στο φως θα μειώσουν τον κίνδυνο ηλεκτροπληξίας.
- ▶ Αποφεύγετε σωματική επαφή με γειωμένες

επιφάνειες όπως σωλήνες, καλοριφέρ, ψυγεία. Υπάρχει αυξημένος κίνδυνος ηλεκτροπληξίας αν το σώμα σας είναι γειωμένο.

- ▶ Μην εκθέτετε ηλεκτρικά εργαλεία σε συνθήκες βροχής ή σε υγρά. Το νερό που εισέρχεται σε ένα ηλεκτρικό εργαλείο θα αυξήσει τον κίνδυνο ηλεκτροπληξίας.
- ▶ Μην κακομεταχειρίζεστε το καλώδιο. Ποτέ μη χρησιμοποιείτε το καλώδιο για να μεταφέρετε το εργαλείο ή για να το αποσυνδέσετε από την πρίζα τραβώντας το. Φυλάξτε το καλώδιο μακριά από τη ζέστη, το λάδι, κοφτερές επιφάνειες και κινούμενα μέρη. Τα φθαρμένα ή μπερδεμένα καλώδια αυξάνουν τον κίνδυνο ηλεκτροπληξίας.
- ▶ Όταν χρησιμοποιείτε το εργαλείο σε εξωτερικούς χώρους, να χρησιμοποιείτε μόνο προεκτάσεις καλωδίων που είναι κατάλληλες για αντίστοιχη χρήση. Η χρήση ενός τέτοιου καλωδίου μειώνει τον κίνδυνο ηλεκτροπληξίας.

### Προσωπική ασφάλεια

- ▶ Να είστε σε επαγρύπνηση, να προσέχετε τι κάνετε και να χρησιμοποιείτε τη κοινή λογική όταν χρησιμοποιείτε ένα ηλεκτρικό εργαλείο. Μη χρησιμοποιείτε το εργαλείο όταν είστε κουρασμένος ή υπό την επήρεια ναρκωτικών, αλκοόλ ή φαρμακευτικής αγωγής. Μια στιγμή απροσεξίας μπορεί να προκαλέσει σοβαρό προσωπικό τραυματισμό.
- ▶ Χρησιμοποιείτε εξοπλισμό ασφαλείας. Πάντα να φοράτε προστασία για τα μάτια σας. Η χρήση κατάλληλου εξοπλισμού ασφαλείας για τις εκάστοτε συνθήκες εργασίας όπως μάσκα σκόνης, αντιολισθητικά παπούτσια ασφαλείας, κράνος προστασίας ή ωτοασπίδες θα μειώσει τον κίνδυνο προσωπικού τραυματισμού.
- ▶ Αποφύγετε ακούσια εκκίνηση του εργαλείου. Βεβαιωθείτε ότι ο διακόπτης είναι στη θέση OFF πριν το συνδέσετε στην πρίζα. Η μεταφορά εργαλείων που είναι συνδεδεμένα στην πρίζα με το δάκτυλο στο διακόπτη μπορεί να προκαλέσει ατύχημα.
- ▶ Αφαιρέστε τα εργαλεία και κλειδιά

ρύθμισης πριν εκκινήσετε το εργαλείο. Αν έχει ξεχαστεί ένα τέτοιο εξάρτημα σε ένα περιστρεφόμενο μέρος του εργαλείου, μπορεί να προκαλέσει προσωπικό τραυματισμό.

- ▶ Μην υπερβάλλετε τεντώνοντας τα σωματικά σας μέρη. Διατηρείστε τη σωστή θέση των ποδιών σας και την ισορροπία σας ανά πάσα στιγμή. Έτσι θα έχετε καλύτερο έλεγχο του ηλεκτρικού εργαλείου σε αναπάντεχες καταστάσεις.
- ▶ Ντυθείτε κατάλληλα. Μη φοράτε χαλαρά ρούχα ή κοσμήματα. Κρατείστε τα μαλλιά, ρούχα και γάντια σας μακριά από κινούμενα μέρη. Τα χαλαρά ρούχα, κοσμήματα ή μακριά μαλλιά ενδέχεται να πιαστούν σε κινούμενα μέρη.
- ▶ Αν παρέχονται εξαρτήματα για εξαγωγή και περισυλλογή σκόνης, βεβαιωθείτε ότι είναι συνδεδεμένα και χρησιμοποιούνται σωστά. Η χρήση τέτοιων εξαρτημάτων μπορεί να μειώσουν κινδύνους που σχετίζονται με τη σκόνη.

## Χρήση και φροντίδα του ηλεκτρικού εργαλείου

- ▶ Μη ζορίζετε το ηλεκτρικό εργαλείο. Χρησιμοποιείτε το κατάλληλο ηλεκτρικό εργαλείο για την κάθε ανάγκη. Το κατάλληλο εργαλείο θα φέρει εις πέρας την εργασία με μεγαλύτερη επιτυχία και ασφάλεια, όταν χρησιμοποιείται για το σκοπό που έχει κατασκευαστεί.
- ▶ Μη χρησιμοποιείτε το ηλεκτρικό εργαλείο αν ο διακόπτης δε γυρνάει στη θέση ON και OFF. Οποιοδήποτε ηλεκτρικό εργαλείο που δεν μπορεί να λειτουργήσει με το διακόπτη είναι επικίνδυνο και πρέπει να επισκευαστεί.
- ▶ Να βγάζετε το φως από την πρίζα πριν προχωρήσετε σε αλλαγές των αξεσουάρ ή σε αποθήκευση. Τέτοια προληπτικά μέτρα ασφαλείας μειώνουν τον κίνδυνο ακούσιας εκκίνησης του εργαλείου.
- ▶ Αποθηκεύστε τα εκτός λειτουργίας ηλεκτρικά εργαλεία σε χώρο που δεν είναι προσιτός σε παιδιά και μην επιτρέψετε να τα λειτουργήσουν άτομα που δεν έχουν την κατάλληλη γνώση ή δεν έχουν διαβάσει το εγχειρίδιο χρήσης. Τα ηλεκτρικά

εργαλεία είναι επικίνδυνα στα χέρια μη εκπαιδευμένων ατόμων.

- ▶ Συντηρείστε τα ηλεκτρικά εργαλεία, ελέγξτε την ευθυγράμμιση ή εμπλοκή των κινούμενων τμημάτων, τυχόν ρωγμές τμημάτων, σύνδεση και κάθε άλλη συνθήκη που μπορεί να το καταστήσει επικίνδυνο και να επηρεάσει τη λειτουργία του. Αν έχει υποστεί ζημιά, πρέπει να επισκευαστεί κατάλληλα από ένα εξουσιοδοτημένο σέρβις πριν χρησιμοποιηθεί. Πολλά ατυχήματα μπορούν να συμβούν από ηλεκτρικά εργαλεία που δεν έχουν συντηρηθεί κατάλληλα.
- ▶ Διατηρείστε τα εργαλεία κοφτερά και καθαρά. Τα εργαλεία κοπής που είναι σωστά διατηρημένα και έχουν κοφτερές άκρες είναι λιγότερο πιθανό να χαλάσουν και είναι πιο εύκολα στον έλεγχο.
- ▶ Χρησιμοποιείτε το ηλεκτρικό εργαλείο, τα αξεσουάρ, τα εξαρτήματα κ.λπ. σύμφωνα με αυτές τις οδηγίες και με τον κατάλληλο τρόπο για το συγκεκριμένο τύπο του ηλεκτρικού εργαλείου, λαμβάνοντας υπόψη τις συνθήκες και την εργασία που πρέπει να πραγματοποιηθεί. Η χρήση του εργαλείου για σκοπούς διαφορετικούς από αυτούς για τους οποίους προορίζεται μπορεί να προκαλέσουν μια επικίνδυνη κατάσταση.

## Επισκευή / Σέρβις

- ▶ Δώστε το εργαλείο σας να επισκευαστεί από έναν εξειδικευμένο ειδικό, χρησιμοποιώντας μόνο γνήσια ανταλλακτικά. Αυτό θα εξασφαλίσει τη διατήρηση της ασφάλειας του ηλεκτρικού εργαλείου.
- ▶ Ακολουθείστε τις οδηγίες για τη λίπανση και την αλλαγή των αξεσουάρ.
- ▶ Διατηρείστε τις λαβές στεγνές, καθαρές και χωρίς την ύπαρξη λαδιού και γράσου.

## 3. Ειδικές οδηγίες ασφαλείας

ΜΗΝ αφήνετε την άνεση και την εξοικείωση με το προϊόν (που αποκτήθηκε από εκτεταμένη χρήση) να αντικαταστήσει την αυστηρή συμμόρφωση με τους κανόνες ασφαλείας των ηλεκτρικών

εργαλείων. Αν χρησιμοποιείτε αυτό το εργαλείο με λάθος τρόπο και χωρίς ασφάλεια, μπορεί να υποστείτε κάποιο σοβαρό προσωπικό τραυματισμό.

- ❶ Να φοράτε προστατευτικά αυτιών. Η έκθεση σε θόρυβο μπορεί να προκαλέσει απώλεια ακοής.
- ❷ Να χρησιμοποιείτε το εργαλείο από τη λαβή του. Η απώλεια ελέγχου μπορεί να προκαλέσει προσωπικό τραυματισμό.
- ❸ Όταν πραγματοποιείτε εργασίες όπου το εργαλείο μπορεί να έρθει σε επαφή με κρυφή καλωδίωση ή με το ίδιο το καλώδιο, κρατείστε το εργαλείο με μονωμένες επιφάνειες που παρέχουν τριβή. Η επαφή με ένα γυμνό καλώδιο που φέρει ρεύμα θα καταστήσει ηλεκτροφόρα τα εκτεθειμένα μεταλλικά μέρη του εργαλείου και θα προκαλέσει ηλεκτροπληξία στο χειριστή.
- ❹ Να φοράτε κράνος προστασίας, γυαλιά προστασίας και / ή μάσκα προσώπου. Τα κανονικά γυαλιά ή γυαλιά ηλίου ΔΕΝ αποτελούν είδη ασφαλείας. Επίσης συνίσταται να φοράτε μάσκα σκόνης και χοντρά μονωμένα γάντια.
- ❺ Βεβαιωθείτε ότι τα αξεσουάρ είναι ασφαλισμένα στη θέση τους πριν ξεκινήσετε τη λειτουργία του εργαλείου.
- ❻ Υπό κανονικές συνθήκες, το εργαλείο είναι σχεδιασμένο να παράγει δονήσεις. Οι βίδες μπορούν εύκολα να χαλαρώσουν, προκαλώντας ζημιά ή ατύχημα. Να ελέγχετε προσεκτικά ότι οι βίδες είναι σφιγμένες πριν τη χρήση.
- ❼ Σε κρύο καιρό ή όταν το εργαλείο δεν έχει χρησιμοποιηθεί για αρκετό καιρό, αφήστε το να ζεσταθεί για λίγο λειτουργώντας το σε συνθήκες μηδενικής πίεσης. Με αυτό τον τρόπο θα χαλαρώσει η λίπανση.
- ❽ Πάντα να είστε σίγουροι ότι πατάτε γερά στα πόδια σας. Σιγουρευτείτε ότι δεν υπάρχει κάποιος από κάτω όταν χρησιμοποιείτε το εργαλείο σε υψηλές τοποθεσίες.
- ❾ Κρατείστε το εργαλείο γερά και με τα δυο σας χέρια.
- ❿ Κρατείστε τα χέρια σας μακριά από κινούμενα μέρη.
- ⓫ Μην αφήνετε το εργαλείο σε λειτουργία. Να

το λειτουργείτε μόνο όταν το έχετε στα χέρια σας.

- ❿ Μην σημαδεύετε το εργαλείο προς οποιονδήποτε στην περιοχή λειτουργίας. Κάποιο εξάρτημα ίσως αποκολληθεί με αποτέλεσμα να προκαλέσει σοβαρό τραυματισμό.
- ⓫ Μην αγγίζετε τα εξαρτήματα κοντά στα κινούμενα μέρη αμέσως μετά τη λειτουργία. Μπορεί τα μέρη του εργαλείου να είναι πολύ ζεστά και να προκαλέσουν εγκαύματα.
- ⓫ Κάποια υλικά περιέχουν χημικά που μπορεί να είναι τοξικά. Λάβετε μέτρα για να αποφύγετε εισπνοή σκόνης και επαφή με το δέρμα. Ακολουθείστε τις οδηγίες ασφαλείας του παρόχου των υλικών.

## Πρόσθετες οδηγίες ασφαλείας ειδικά για πολυεργαλεία mini με flexible άξονα

- **ΠΡΟΕΙΔΟΠΟΙΗΣΗ!** Γνωρίστε το πολυεργαλείο σας. Μην συνδέετε το εργαλείο στην πηγή τροφοδοσίας έως ότου διαβάσετε και κατανοήσετε τις πληροφορίες σε αυτό το εγχειρίδιο. Μάθετε τις εφαρμογές και τους περιορισμούς του εργαλείου, καθώς και τους συγκεκριμένους πιθανούς κινδύνους που σχετίζονται με αυτό το εργαλείο, προκειμένου να μειώσετε τον κίνδυνο ηλεκτροπληξίας, πυρκαγιάς ή σοβαρού τραυματισμού.
- Εάν κάποιο εξάρτημα λείπει ή έχει υποστεί ζημιά, μην συνδέετε το εργαλείο στην πηγή τροφοδοσίας και μην εγκαθιστάτε οποιονδήποτε αξεσουάρ έως ότου επισκευαστεί ή αντικατασταθεί το χαμένο ή κατεστραμμένο τμήμα. Αν δεν ακολουθήσετε αυτή την οδηγία, μπορεί να οδηγήσει σε σοβαρό προσωπικό τραυματισμό.
- **ΠΡΟΕΙΔΟΠΟΙΗΣΗ!** Η επαφή ή εισπνοή σκόνης που προκύπτει από εφαρμογές κοπής ενδέχεται να θέσει σε κίνδυνο την υγεία του χειριστή και τους πιθανούς περιβαλλόμενους. Φορέστε μάσκα σκόνης ειδικά σχεδιασμένη για προστασία από σκόνη και αναθυμιάσεις και βεβαιωθείτε ότι τα άτομα που βρίσκονται εντός ή εισέρχονται στην περιοχή εργασίας είναι επίσης προστατευμένα.
- Χρησιμοποιήστε σφιγκτήρες ή έναν άλλο

πρακτικό τρόπο για να ασφαλίσετε και να στηρίξετε το τεμάχιο εργασίας σε μια σταθερή πλατφόρμα. Κρατώντας το τεμάχιο εργασίας με το χέρι ή πάνω στο σώμα σας, το καθιστά ασταθές και μπορεί να οδηγήσει σε απώλεια ελέγχου.

- Αφήστε το εξάρτημα να κρυώσει πριν το αγγίξετε, αλλάξτε ή ρυθμίσετε. Τα εξαρτήματα θερμαίνονται δραματικά κατά τη χρήση και μπορούν να σας κάψουν.
- Διατηρήστε τις ετικέτες και τις ταμπέλες στο εργαλείο. Αυτές φέρουν σημαντικές πληροφορίες για την ασφάλεια. Εάν δεν είναι αναγνώσιμες ή λείπουν, επικοινωνήστε με τον επίσημο αντιπρόσωπο για αντικατάσταση.
- Αποφύγετε την ακούσια εκκίνηση. Προετοιμαστείτε για να ξεκινήσετε την εργασία πριν ενεργοποιήσετε το εργαλείο. Μην αφήνετε το εργαλείο κάτω πριν σταματήσει τελείως. Τα κινούμενα μέρη μπορούν να αρπάξουν την επιφάνεια και να τραβήξουν το εργαλείο από τον έλεγχό σας.
- Μην αφήνετε το εργαλείο χωρίς επίβλεψη όταν είναι συνδεδεμένο σε πρίζα. Απενεργοποιήστε το εργαλείο και αποσυνδέστε το από την πρίζα πριν φύγετε.
- Βεβαιωθείτε ότι δεν υπάρχουν καρφιά ή ξένα αντικείμενα στη διαδρομή του τεμαχίου προς κοπή ή λείανση.
- Κατά την κοπή σωληνών ή αγωγών, βεβαιωθείτε ότι είναι απαλλαγμένοι από νερό, ηλεκτρικές καλωδιώσεις κ.λπ.
- **ΠΡΟΕΙΔΟΠΟΙΗΣΗ!** Χρησιμοποιήστε μόνο αξεσουάρ που συνιστώνται για αυτό το πολυεργαλείο. Ακολουθήστε τις οδηγίες που συνοδεύουν τα αξεσουάρ. Η χρήση ακατάλληλων εξαρτημάτων μπορεί να οδηγήσει σε τραυματισμό του χειριστή ή ζημιά στο εργαλείο.

## ΑΠΟΘΗΚΕΥΣΤΕ ΑΥΤΟ ΤΟ ΕΓΧΕΙΡΙΔΙΟ ΧΡΗΣΗΣ

### ⚠ ΠΡΟΣΟΧΗ:

Κατάχρηση ή μη τήρηση των οδηγιών ασφαλείας που αναγράφονται σε αυτό το εγχειρίδιο χρήσης μπορεί να προκαλέσουν σοβαρό προσωπικό τραυματισμό.

## 4. Περιγραφή λειτουργιών και προδιαγραφών

### Προβλεπόμενη χρήση

Το πολυεργαλείο προορίζεται για εργασίες κοπής, γυαλίσματος, χάραξης και διάτρησης σε διάφορα υλικά χρησιμοποιώντας διάφορα εξαρτήματα.

### ⚠ ΠΡΟΣΟΧΗ:

Αν είναι απαραίτητη η αντικατάσταση του καλωδίου παροχής ρεύματος, τότε πρέπει να γίνει από έναν επαγγελματία ώστε να αποφευχθεί κίνδυνος τραυματισμού.

Εργαλείο	7940
Τάση λειτουργίας	230V~50Hz
Ισχύς εισόδου	135W
Ταχύτητα χωρίς φορτίο	8000 - 33000 rpm
Τσοκ	3,2 mm
Μήκος καλωδίου	2 m
Στάθμη θορύβου	79 dB
Βάρος εργαλείου	650 g

### Συναρμολόγηση

### ⚠ ΠΡΟΕΙΔΟΠΟΙΗΣΗ:

Πάντα να σιγουρεύεστε ότι το εργαλείο είναι απενεργοποιημένο ή εκτός πρίζας πριν εγκαταστήσετε εξαρτήματα.

### Εγκατάσταση εξαρτημάτων

### ⓘ ΣΗΜΑΝΤΙΚΟ:

Βεβαιωθείτε ότι χρησιμοποιείτε το σωστό μέγεθος τσοκ για το μέγεθος του εξαρτήματος.

- Αφαιρέστε το παξιμάδι κολλάρου **7** πατώντας το κουμπί κλειδώματος άξονα **3** και περιστρέφοντας αριστερόστροφα. Εάν είναι απαραίτητο, χρησιμοποιήστε το κλειδί παξιμαδιού κολλάρου **10** που παρέχεται στα αξεσουάρ για να το αφαιρέσετε.
- Αφαιρέστε το τσοκ **8** εάν είναι απαραίτητο και αντικαταστήστε το με ένα κατάλληλο μέγεθος για το αξεσουάρ που θα χρησιμοποιηθεί.

- Εισαγάγετε το επιλεγμένο τσοκ στο εργαλείο, και στη συνέχεια τοποθετήστε το παξιμάδι.
- Εισαγάγετε το εξάρτημα και, στη συνέχεια, κρατήστε πατημένο το κουμπί κλειδώματος του άξονα και σφίξτε ξανά περιστρέφοντας το παξιμάδι κολλάρου προς τα δεξιά (fig 1).

### **ΣΗΜΕΙΩΣΗ:**

Εάν είναι απαραίτητο, χρησιμοποιήστε το παρεχόμενο κλειδί για να σφίξετε ξανά. Προσέξτε να μην σφίξετε υπερβολικά.

## Λειτουργία

### **ΣΗΜΑΝΤΙΚΟ:**

Πριν χρησιμοποιήσετε το πολυεργαλείο, βεβαιωθείτε ότι έχετε τοποθετήσει και ασφαλίσει το αξεσουάρ που έχετε επιλέξει για την εργασία που θέλετε.

- Εντοπίστε μια κατάλληλη πρίζα και συνδέστε το πολυεργαλείο.

### **ΠΡΟΕΙΔΟΠΟΙΗΣΗ:**

Βεβαιωθείτε ότι το τεμάχιο εργασίας είναι ασφαλές και σταθερό και απαλλαγμένο από άλλα αντικείμενα.

- Κρατήστε το πολυεργαλείο με τα δύο χέρια, διασφαλίζοντας ότι δεν καλύπτετε τον εξαερισμό.
- Πριν ενεργοποιήσετε, επιλέξτε την ταχύτητα λειτουργίας χρησιμοποιώντας τον τροχό ρύθμισης ταχύτητας **2**. Εάν είναι απαραίτητο, η ταχύτητα λειτουργίας μπορεί να ρυθμιστεί κατά τη λειτουργία, αλλά είναι σημαντικό να διασφαλίσετε ότι χρησιμοποιείτε την κατάλληλη ταχύτητα για να ξεκινήσετε.
- Εκκινήστε το πολυεργαλείο με το διακόπτη ON / OFF **1** (fig 2).
- Κατεβάστε αργά το εργαλείο στο τεμάχιο εργασίας και ξεκινήστε την κοπή.

### **ΠΡΟΕΙΔΟΠΟΙΗΣΗ:**

Να είστε προσεκτικοί με το λάκτισμα από το εργαλείο κατά την ενεργοποίηση.

Πάντα βεβαιωθείτε ότι πλησιάζετε το αντικείμενο εργασίας με το εργαλείο ενεργοποιημένο. Ποτέ μην ενεργοποιείτε το εργαλείο ενώ βρίσκεται πάνω στο τεμάχιο εργασίας, καθώς μπορεί να προκαλέσει λάκτισμα και ζημιά στο εξάρτημα.

## 5. Συντήρηση

Ο σωστός και τακτικός καθαρισμός θα βελτιώσει την ασφάλεια και θα επεκτείνει τη διάρκεια ζωής του εργαλείου.

**Για ασφαλή και σωστή εργασία, πάντα να κρατάτε καθαρές τις υποδοχές εξαερισμού και το ίδιο το εργαλείο σε καλή κατάσταση.**

Το εργαλείο μπορεί να καθαριστεί αποτελεσματικά με ξηρό συμπιεσμένο αέρα ή με ένα μαλακό πανί βρεγμένο με σαπουνόνερο.

**Πάντα να φοράτε προστατευτικά ματιών όταν καθαρίζετε τα εργαλεία με συμπιεσμένο αέρα.**

**Ορισμένα καθαριστικά μέσα και διαλύτες μπορεί να προκαλέσουν βλάβη σε πλαστικά μέρη.** Κάποια από αυτά είναι: βενζίνη, τετραχλωράνθρακας, χλωριωμένοι διαλύτες καθαρισμού, αμμωνία και οικιακά απορρυπαντικά που περιέχουν αμμωνία.

Οι ψύκτρες (καρβουνάκια) και ο διακόπτης στο εργαλείο σας έχουν σχεδιαστεί για πολλές ώρες αξιόπιστης λειτουργίας. Για να διατηρηθεί η μέγιστη απόδοση του κινητήρα, συνιστούμε κάθε δύο έως έξι μήνες να εξετάζονται οι ψύκτρες.

Αποθηκεύστε το εργαλείο, το εγχειρίδιο χρήσης και όπου είναι απαραίτητο τα αξεσουάρ στη γνήσια συσκευασία. Με αυτό τον τρόπο θα έχετε πάντα όλη την πληροφορία και τα διάφορα μέρη στη διάθεσή σας.

### **ΠΡΟΣΟΧΗ:**

Απενεργοποιήστε το εργαλείο, αποσυνδέστε την από το ρεύμα και περιμένετε μέχρι να κρυώσει πριν από τον καθαρισμό ή τη συντήρηση για να αποφύγετε ηλεκτροπληξία ή εγκαύματα.



**Να φοράτε προστατευτικά αυτιών**



**Να φοράτε προστατευτικά ματιών**



**Να φοράτε μάσκα για τη σκόνη**

## 6. Εγγύηση

Αυτό το εργαλείο έχει ελεγχθεί από τον κατασκευαστή. Από την ημερομηνία αγοράς από τον τελικό καταναλωτή, η εγγύηση δύο ετών για **ερασιτεχνική χρήση** καλύπτει κάθε ελαττωματικό υλικό και κατασκευή. Η απόδειξη ή το τιμολόγιο αγοράς πρέπει να επιδεικνύεται σε περίπτωση επισκευής που καλύπτεται από την εγγύηση. Για πιθανές βλάβες κατά τη διάρκεια της περιόδου εγγύησης, θα πρέπει να απευθυνθείτε στο κατάστημα λιανικής πώλησης από το οποίο πραγματοποιήθηκε η αγορά.

### Όροι εγγύησης

Η εγγύηση ισχύει μόνο όταν:

- Το εργαλείο έχει χρησιμοποιηθεί σωστά και για τον σκοπό για τον οποίο αγοράστηκε.
- Το εργαλείο παρουσιάζει ένα πρόβλημα που οφείλεται σε ελαττωματικό υλικό και κατασκευή.
- Το εργαλείο αδυναμεί να εκτελέσει εργασίες σύμφωνα με τις τεχνικές προδιαγραφές που παρέχονται.

Δεν καλύπτονται από την εγγύηση ζημιές που οφείλονται σε αιτίες όπως:

- Φθορά λόγω ακατάλληλης χρήσης.
- Μερική ή ολική αποσυναρμολόγηση. Η αποσυναρμολόγηση πρέπει να γίνεται μόνο από προσωπικό εξουσιοδοτημένο από τον επίσημο διανομέα.
- Ζημιές λόγω υπερφόρτωσης.
- Χρήση εσφαλμένου ή ασύμβατου εξαρτήματος.
- Κακή συντήρηση από τον χειριστή ή οποιοδήποτε άλλο τρίτο μέρος.
- Φθορά που προκλήθηκε από εξωτερικούς παράγοντες ή ξένα σωματίδια (σκόνη, μπάζα κ.λπ.)
- Φθορά λόγω μη συμμόρφωσης με τις οδηγίες αυτού του εγχειριδίου.

Εάν, κατά τη διάρκεια της περιόδου εγγύησης, υπάρχει ζημιά που δεν μπορεί να επισκευαστεί από το εξουσιοδοτημένο τμήμα σέρβις, το εργαλείο θα αντικατασταθεί χωρίς πρόσθετο κόστος.

## 7. Επισκευή / Σέρβις

Σε περίπτωση ανάγκης για επισκευή μετά τη λήξη της περιόδου εγγύησης, θα δώσουμε την καλύτερη δυνατή προσοχή για την επιτυχή επιδιόρθωση του εργαλείου.

## 8. Περιβάλλον



Μην απορρίπτετε τις ηλεκτρικές μηχανές ως αστικά απόβλητα χωρίς διαλογή, χρησιμοποιήστε χωριστές εγκαταστάσεις συλλογής.

Επικοινωνήστε με τα συστήματα συλλογής τοπικής κυβέρνησης που είναι διαθέσιμα. Εάν τα ηλεκτρικά μηχανήματα απορρίπτονται σε χώρους υγειονομικής ταφής ή χωματερές, επικίνδυνες ουσίες μπορεί να διαρρεύσουν στα υπόγεια ύδατα και να εισέλθουν στην τροφική αλυσίδα, βλάπτοντας την υγεία και την ευημερία.

Κατά την αντικατάσταση των παλαιών μηχανημάτων με καινούργια, ο έμπορος λιανικής θα χαρεί να πάρει πίσω το παλιό σας μηχανήμα για απόρριψη.

## 9. Δήλωση Συμμόρφωσης

### Εξουσιοδοτημένος Αντιπρόσωπος ΠΑΠΑΔΕΑΣ Α.Ε.

Ηρώων 1912 4-6, 13671, Αχαρναί, Ελλάδα  
Δια της παρούσης δηλώνεται ότι:

Το **Πολυεργαλείο μίνι με flexible άξονα & 60 εξαρτήματα με ΚΩΔΙΚΟ: 7940** και διακριτικό τίτλο: **S1J-FE3-10** υπό την επωνυμία **KRAUSMANN** (Περιγραφή: Μίνι τρυπάνι, 135W, ρυθμιζόμενη ταχύτητα 8000-33000rpm, καλώδιο 2m, πρίζα VDE, με 60τμχ αξεσουάρ και flexible άξονα, σε βαλίτσα μεταφοράς (10 τεμ./κιβώτιο)), είναι σχεδιασμένο σύμφωνα με τη διάταξη των Οδηγιών 2006/42/EC, 2014/30/EC και σύμφωνα με τα ακόλουθα πρότυπα: EN60745-1:2009+A11:2010, EN60745-2-23:2013, AfPS GS 2019:01 PAK, EN55014-1:2017, EN55014-2:2015, EN61000-3-2:2014, EN61000-3-3:2013.

Έτος απόκτησης "CE" πιστοποίησης: 2020  
Ημερομηνία: 26 Μαρτίου 2020



\* Τα αξεσουάρ και τα περιεχόμενα ενδέχεται να αλλάξουν από το εργοστάσιο παραγωγής χωρίς προειδοποίηση, σε αυτή την περίπτωση η εταιρεία δεν φέρει καμία ευθύνη.

**KRAUSMANN**<sup>®</sup>  
POWER TOOLS

**RELIABLE PERFORMANCE**

**7940**

[www.krausmann.gr](http://www.krausmann.gr)

